

BALDOR® • RELIANCE 

Product Information Packet

M3539-5

.5HP, 1140RPM, 3PH, 60HZ, 56, 3418M, TEFC, F1

Part Detail							
Revision:	U	Status:	PRD/A	Change #:		Proprietary:	No
Type:	AC	Elec. Spec:	34WGW051	CD Diagram:	CD0006	Mfg Plant:	
Mech. Spec:	34A061	Layout:	34LYA061	Poles:	06	Created Date:	
Base:	RG	Eff. Date:	10-30-2018	Leads:	3#18		

Specs			
Catalog Number:	M3539-5	Inverter Code:	Not Inverter
Enclosure:	TEFC	KVA Code:	J
Frame:	56	Lifting Lugs:	No Lifting Lugs
Frame Material:	Steel	Locked Bearing Indicator:	No Locked Bearing
Output @ Frequency:	.500 HP @ 60 HZ	Motor Lead Quantity/Wire Size:	3 @ 18 AWG
Synchronous Speed @ Frequency:	1200 RPM @ 60 HZ	Motor Lead Exit:	Ko Box
Voltage @ Frequency:	575.0 V @ 60 HZ	Motor Lead Termination:	Flying Leads
XP Class and Group:	None	Motor Type:	3418M
XP Division:	Not Applicable	Mounting Arrangement:	F1
Agency Approvals:	UR	Power Factor:	55
	CSA	Product Family:	General Purpose
Auxillary Box:	No Auxillary Box	Pulley End Bearing Type:	Ball
Auxillary Box Lead Termination:	None	Pulley Face Code:	Standard
Base Indicator:	Rigid	Pulley Shaft Indicator:	Standard
Bearing Grease Type:	Polyrex EM (-20F +300F)	Rodent Screen:	None
Blower:	None	Shaft Extension Location:	Pulley End
Current @ Voltage:	1.000 A @ 575.0 V	Shaft Ground Indicator:	No Shaft Grounding
Design Code:	B	Shaft Rotation:	Reversible

Drip Cover:	No Drip Cover	Shaft Slinger Indicator:	No Slinger
Duty Rating:	CONT	Speed Code:	Single Speed
Electrically Isolated Bearing:	Not Electrically Isolated	Motor Standards:	NEMA
Feedback Device:	NO FEEDBACK	Starting Method:	Direct on line
Front Face Code:	Standard	Thermal Device - Bearing:	None
Front Shaft Indicator:	None	Thermal Device - Winding:	None
Heater Indicator:	No Heater	Vibration Sensor Indicator:	No Vibration Sensor
Insulation Class:	B	Winding Thermal 1:	None
		Winding Thermal 2:	None

Nameplate NP1256L										
CAT.NO.	M3539-5									
SPEC.	34A61W51									
HP	.5									
VOLTS	575									
AMP	1									
RPM	1140									
FRAME	56				HZ	60			PH	3
SER.F.	1.25		CODE	J	DES	B		CLASS	B	
NEMA-NOM-EFF	72		PF	55						
RATING	40C AMB-CONT									
CC									USABLE AT 208V	
DE	6203				ODE	6203				
ENCL	TEFC		SN							
	SFA 1.1									

Parts List		
Part Number	Description	Quantity
SA009805	SA 34A61W51	1.000 EA
RA006250	RA 34A61W51	1.000 EA
NS2512A01	INSULATOR, CONDUIT BOX X	1.000 EA
34CB3002A	CB CAST W/.88 DIA HOLE	1.000 EA
34GS1029A01	GASKET, CONDUIT BOX	1.000 EA
51XB1016A07	10-16 X 7/16 HXWSSLD SERTYB	2.000 EA
11XW1032G06	10-32 X .38, TAPTITE II, HEX WSHR SLTD U	1.000 EA
34EP3102A01SP	FR ENDPLATE, MACH	1.000 EA
HW5100A03	WAVY WASHER (W1543-017)	1.000 EA
34EP3102A02SP	FR/PU ENDPLATE, MACH	1.000 EA
XY1032A02	10-32 HEX NUT DIRECTIONAL SERRATION	4.000 EA
34FN3002A01SP	EXTERNAL FAN, PLASTIC, .637/.639 HUB W/	1.000 EA
34FH4002A01SP	IEC FH NO GREASER PRIMED	1.000 EA
51XW1032A06	10-32 X .38, TAPTITE II, HEX WSHR SLTD S	3.000 EA
34CB4517	CB LID 4 MTG HOLES .22 DIA STAMPED, FOR	1.000 EA
34GS1031A01	GASKET, FLAT CONDUIT BOX LID (LEXIDE)	1.000 EA
51XW0832A07	8-32 X .44, TAPTITE II, HEX WSHR SLTD SE	4.000 EA
HW2501D13	KEY, 3/16 SQ X 1.375	1.000 EA
HA7000A04	KEY RETAINER 0.625 DIA SHAFTS	1.000 EA
MG1000G27	MED CHARCOAL METALLIC GREY 400-0096	0.014 GA
85XU0407S04	4X1/4 U DRIVE PIN STAINLESS	2.000 EA
HA3100A12	THRUBOLT 10-32 X 7.375	4.000 EA
MN416A01	TAG-INSTAL-MAINT no wire (1200/bx) 3/19	1.000 EA
LC0006	CONNECTION LABEL	1.000 EA

Parts List (continued)		
Part Number	Description	Quantity
LB1119N	WARNING LABEL	1.000 EA
NP1256L	ALUM UL CSA CC INDUSTRIAL MOTOR A60	1.000 EA
35PA1000	PKG GRP, PRINT PK1008A06	1.000 EA

Accessories		
Part Number	Description	Multiplier
34-171	C FACE KIT	A8

AC Induction Motor Performance Data
Record # 6862 - Typical performance - not guaranteed values

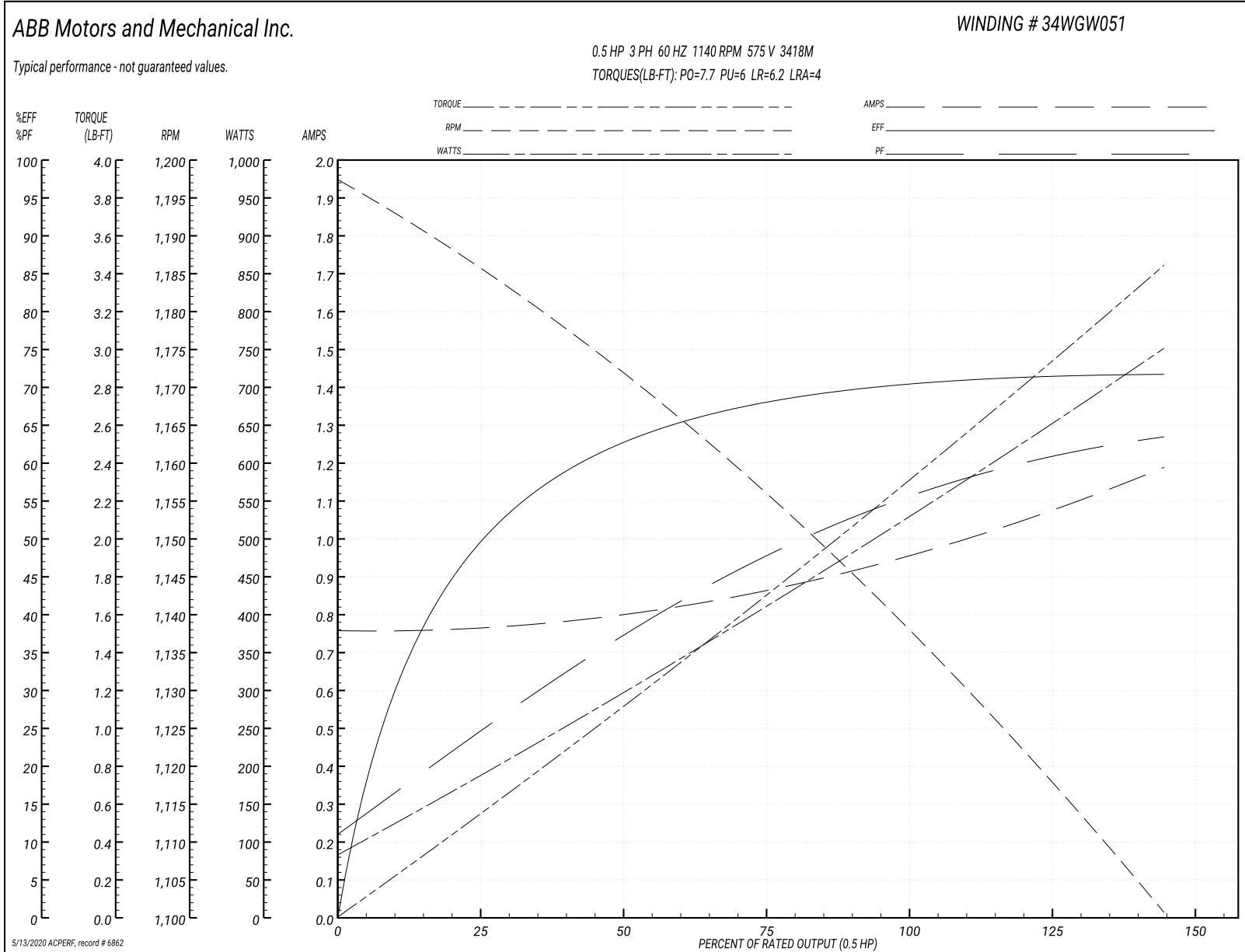
Winding: 34WGW051-R001	Type: 3418M	Enclosure: TEFC
-------------------------------	--------------------	------------------------

Nameplate Data				575 V, 60 Hz: Single Voltage Motor	
Rated Output (HP)	.5			Full Load Torque	2.3 LB-FT
Volts	575			Start Configuration	direct on line
Full Load Amps	1			Breakdown Torque	7.7 LB-FT
R.P.M.	1140			Pull-up Torque	6 LB-FT
Hz	60	Phase	3	Locked-rotor Torque	6.2 LB-FT
NEMA Design Code	B	KVA Code	J	Starting Current	4 A
Service Factor (S.F.)	1.25			No-load Current	0.76 A
NEMA Nom. Eff.	72	Power Factor	55	Line-line Res. @ 25°C	62.5 Ω
Rating - Duty	40C AMB-CONT			Temp. Rise @ Rated Load	63°C
S.F. Amps	1.1			Temp. Rise @ S.F. Load	77°C

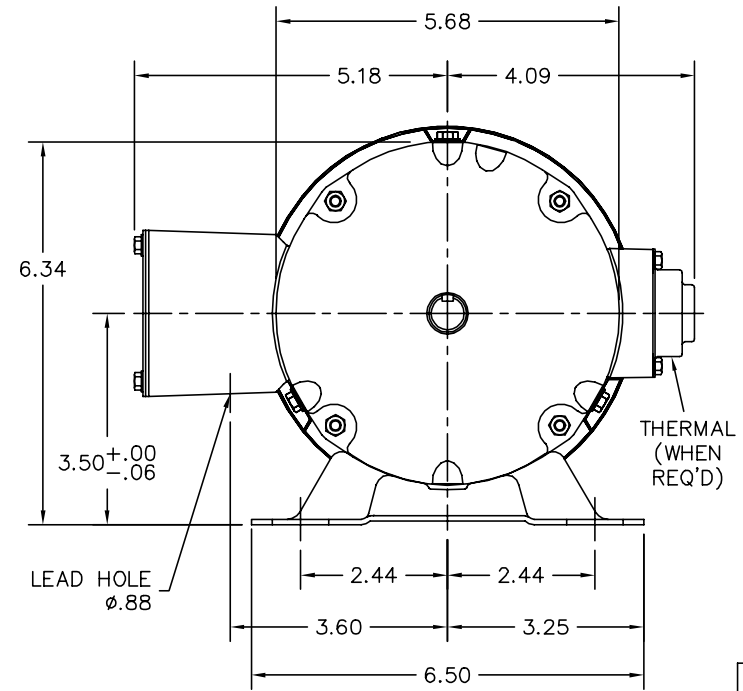
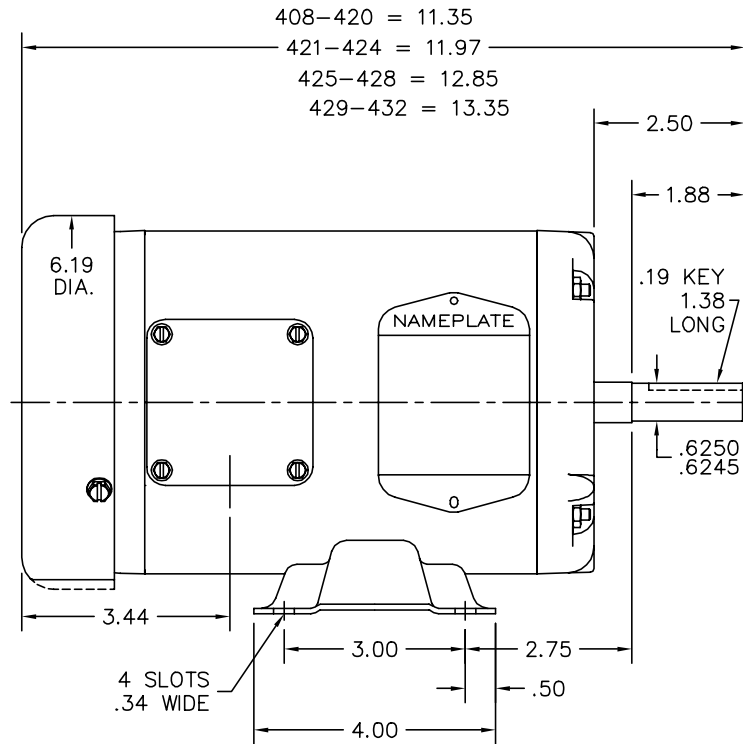
Load Characteristics 575 V, 60 Hz, 0.5 HP

% of Rated Load	25	50	75	100	125	150	S.F.
Power Factor	20	34	45	55	62	68	62
Efficiency	48	63	67	72	72	71	72
Speed	1185	1170	1155	1140	1120	1100	1120
Line amperes	0.76	0.8	0.88	0.96	1.04	1.2	1.04

Performance Graph at 575V, 60Hz, 0.5HP Typical performance - Not guaranteed values



34LYA061



CUSTOMER IS RESPONSIBLE FOR DETERMINING THAT BALDOR'S PRODUCT WILL PERFORM SUITABLY IN THE INTENDED APPLICATION.

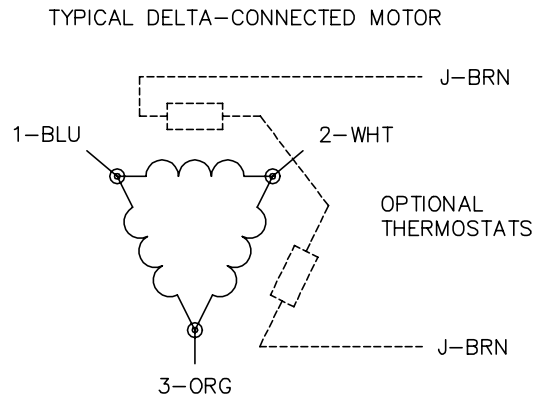
REV. DESC: SECTION VIEW: REMOVE EXTANEOUS PTS FROM LAYOUT		
REV. LTR: K	VERSION: 03	TDR: 000001047233
FILE: \AAA\00000\561	REVISED: 08:12:58 10/17/2017	BY: ENBENBO
MTL: -	© □	

BALDOR

STD HORZ 34M NEMA 56 TEFC
SH 1 of 1

34LYA061

CD0006



NOTES:

1. THREE LEAD MOTOR MAY BE EITHER WYE CONNECTED OR DELTA CONNECTED.
2. INTERCHANGE ANY TWO LINE LEADS TO REVERSE ROTATION.
3. OPTIONAL THERMOSTATS ARE PROVIDED WHEN SPECIFIED.
4. ACTUAL NUMBER OF INTERNAL PARALLEL CIRCUITS MAY VARY.
5. LEAD COLORS ARE OPTIONAL. LEADS MUST BE NUMBERED AS SHOWN.

CD0006

REV. DESC: ADD CLASS CONN00000007		
REV. LTR: E	VERSION: 01	TDR: 000001099922
FILE: \AAA\00005\141	REVISED: 10:24:49 02/19/2019	BY: ENBRIRO
MTL: -		

BALDOR - RELIANCE®

3PH, SV, 3 LEADS, WYE OR DELTA CONNECTED

SH 1 of 1